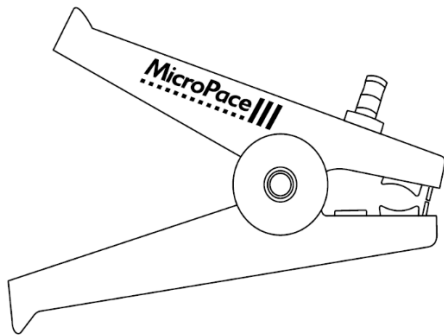


POAG Cable Adapter Clamp MP4170



User Instruction Manual

Description/Intended Use

POAG Cable Adaptor Clamp MP4170 (PAOG clamp) is a non-sterile, non-active, Latex free and reusable type of electrical clamp for use in hospital environments to facilitate ground potential equalization of electrical equipment, such as ECG machines, to reduce electrical interference in biological signal recordings.

The POAG Clamp provides a method of attaching 3rd party 6mm POAG connector cables to grounded metal built-in structures, 8 to 25mm in diameter, such as X-Ray table rails, where Standard POAG Sockets are not available. An example connection is shown below.

The use of this POAG clamp and its attachment to specific grounded metal structures must be under the instructions of a Biomedical Engineer after appropriate tests of the grounding quality and verifying the safety and signal quality of so connected equipment.

The Clamp classified as a non-medical device and is not intended for safety earthing for equipment.

Intended Users and Environment

The POAG Clamp is intended for use in hospital or other controlled clinical environments, used by technicians and company representatives appropriately trained and under instructions and supervision from hospital biomedical engineers or personnel suitably trained in medical device electrical safety.

Warnings

- **The POAG clamp is not intended for nor is it able to provide safety earthing of electrical equipment which must be separately compliant with IEC 60601-1.**
- **Attachment equipment by POAG Clamp to improperly earthed metal surfaces may cause an electrocution hazard; the metal surface must be qualified by Biomedical Engineer to be suitable for POAG earthing.**
- Keep Fingers and other body parts clear of the jaws; there is a pinch hazard.
- Please refer to technical manual of the particular devices before earthing them together.
- Inspect clamp prior to use and do not use if visibly damaged with kinks, cuts to insulation, exposed inner cables or wires or if packaging is damaged. Damaged items should be returned to Micropace.
- Do not modify the clamp. Modifications may reduce effectiveness.
- In order to avoid risk of infection, do not use clamp which appears soiled, contaminated or is not indicated to have been cleaned between uses.
- Do not allow the clamp to come into contact with open wounds.
- Connect clamp only to equipment with connections of POAG 6mm type.
- Any serious incident that occurs in relation to this device should be reported to Micropace and to the relevant local regulatory authority.

Permissible Cleaning Instructions

- The clamp may be cleaned using a dampened cloth in a mild, non-abrasive soap or detergent and/or isopropyl alcohol (IPA).
- Do not sterilize, immerse in liquids or use strong solvents such as acetone.

Service, Serviceable Life and Disposal

- The Clamp has no user serviceable parts.
- Further technical and service support information is available by request at www.micropaceep.com.

Warranty and Disclaimer

- Failure by user to observe the above safety Warnings voids all damage claims against Micropace and Micropace's liability.
- Use of the clamp is governed by the Micropace warranty, disclaimer of Warranty and limitation of liability, which may limit your legal rights.
- Refer to <https://micropaceep.com/warranty-statement>.

Explanation of Symbols

For international symbols on packaging, refer to:

www.micropaceep.com/customer-support/symbols-glossary

Manufacturer

Micropace Pty Ltd.
41/159 Arthur Street
Homebush West
NSW 2140, Australia

eIFU are available upon request in addition to the hardcopy supplied

<https://micropaceep.com/customer-support/downloads/> 

Specifications

Dimensions	110mm x 80mm x 20mm
Connector	6mm POAG male (IEC 60417-5021)
Clamp Material	Brass
Clamping Diameter	8-25mm
Clamping force	Up to 7kg
Conductor resistance	<1 Ohm between any connections
Sterilization	Supplied non-sterile, not sterilizable
MRI Compatibility	Incompatible (Contains ferrous metals)

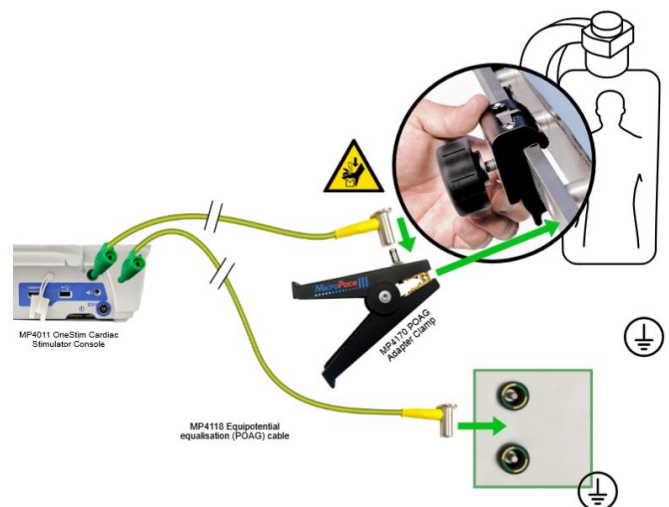
Micropace POAG Clamp

User Instruction Manual

V2.1 Dated: 14 October 2025

All images are for reference only.

Example Connection (OneStim Cardiac Stimulator):



End Of Document